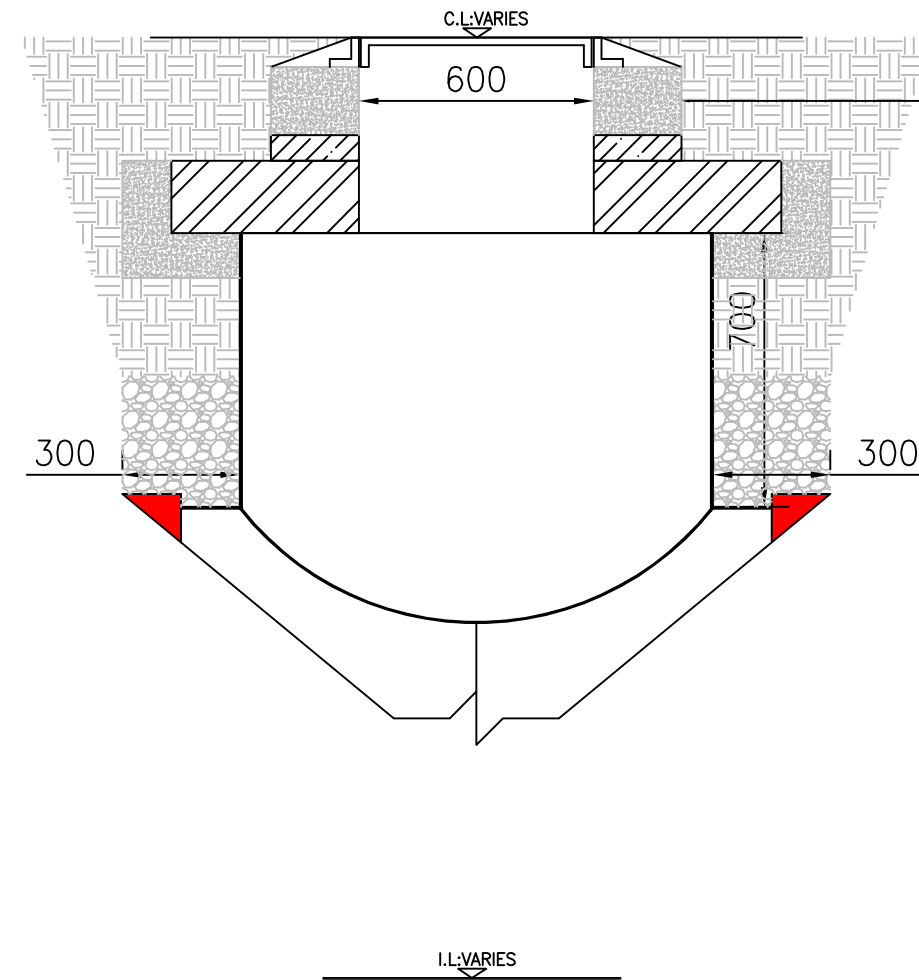
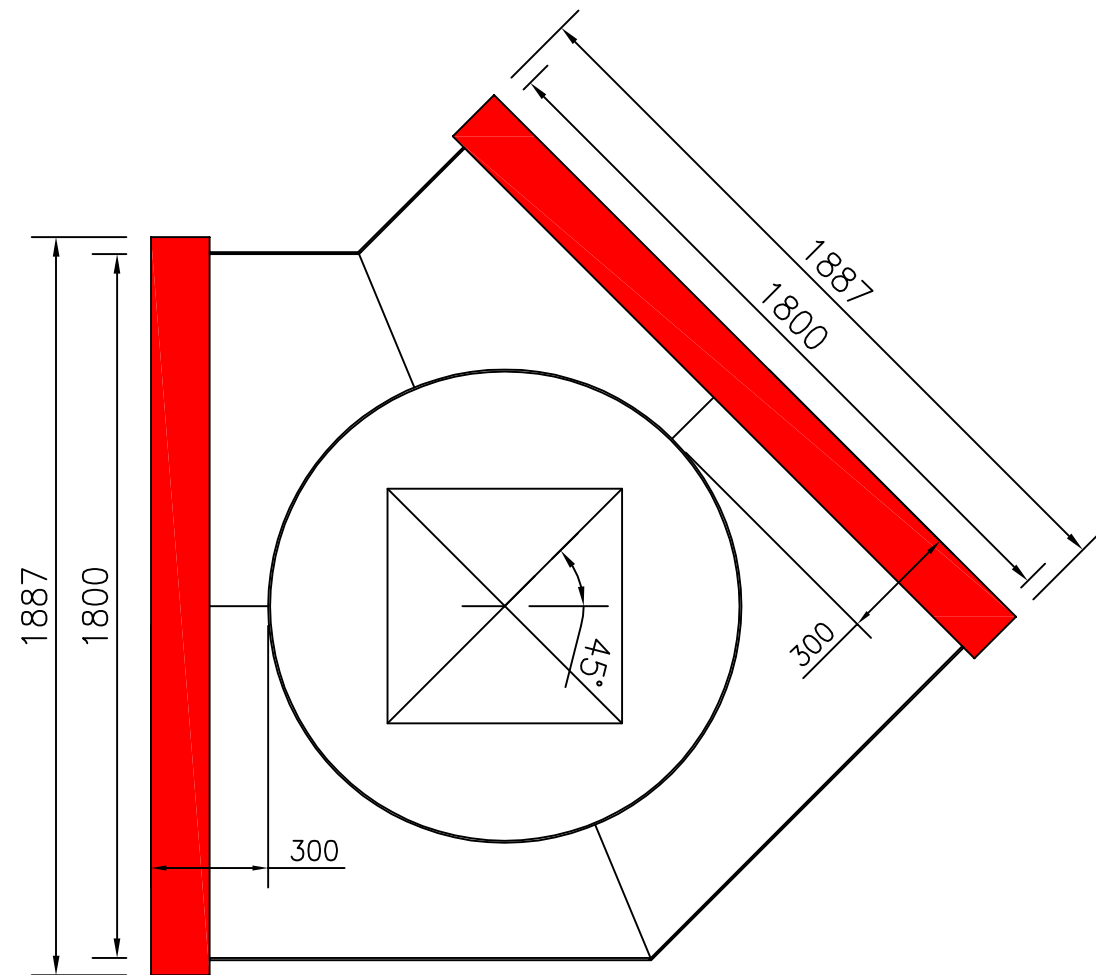


DO NOT SCALE

REV	DESCRIPTION	DATE	BY



1200 $\phi$  ACCESS TURRET, REFER TO AQUASPIRA DRAWING (SS1200-V), FOR ACCESS TURRET CONSTRUCTION DETAILS FOR LANDSCAPE/FIELD AND HIGHWAY/TRAFFICED AREAS.

1800 $\phi$  STAINLESS STEEL  
45° ACCESS BEND-PLAIN END  
(SCALE 1/20)

**NOTES:**

1. ALL DIMENSIONS ARE NOMINAL AND IN MILLIMETERS.
2. ALL STAINLESS STEEL SPECIFIED TO BE GRADE 316,5MM THICK.

**NOTES:**

THIS DRAWING HAS BEEN PRODUCED FOR THE PURPOSE OF OFFERING DESIGN AND LAYOUT INFORMATION TO ASSIST THE PROJECT ENGINEER WHEN ASSESSING THE SUITABILITY OF AQUASPIRA PRODUCTS. THE INFORMATION CONTAINED IN THIS DRAWING IS APPROPRIATE TO AQUASPIRA PRODUCTS ONLY, AND ALL REFERENCES TO ASSOCIATED CONSTRUCTION DETAILS ARE OFFERED AS TYPICAL DETAILS AND DO NOT TAKE ACCOUNT OF PROJECT CONDITIONS. THE PROJECT ENGINEER/S MUST SATISFY THEMSELVES THAT THE INFORMATION PROVIDED IN THIS DRAWING IS SATISFACTORY.

CONSTRUCTION  
ISSUE

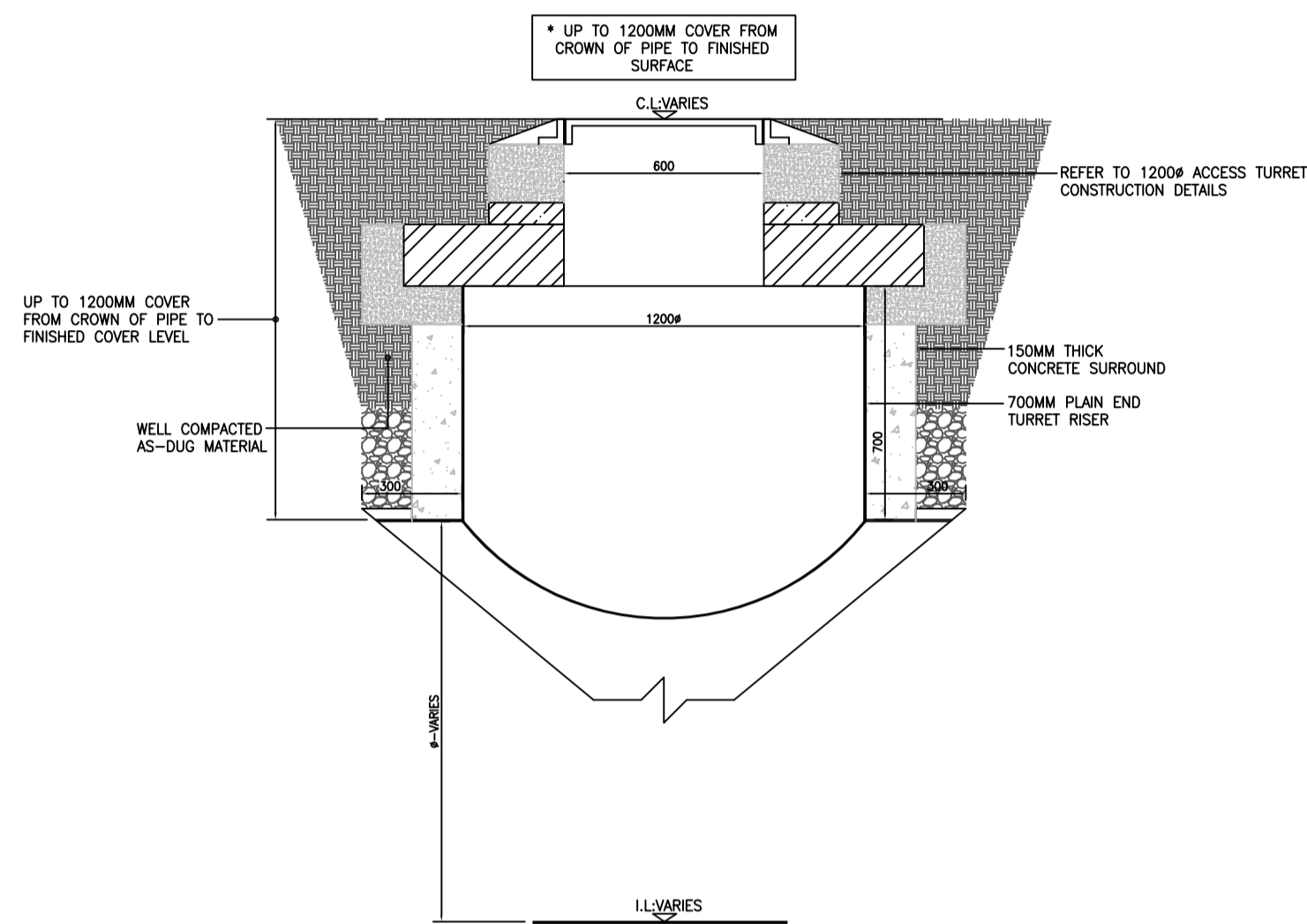
Client  
AQUASPIRA  
STANDARD DETAIL  
DETAIL

Drawing Title.  
1800 $\phi$   
STAINLESS STEEL  
45° ACCESS BEND-PLAIN END

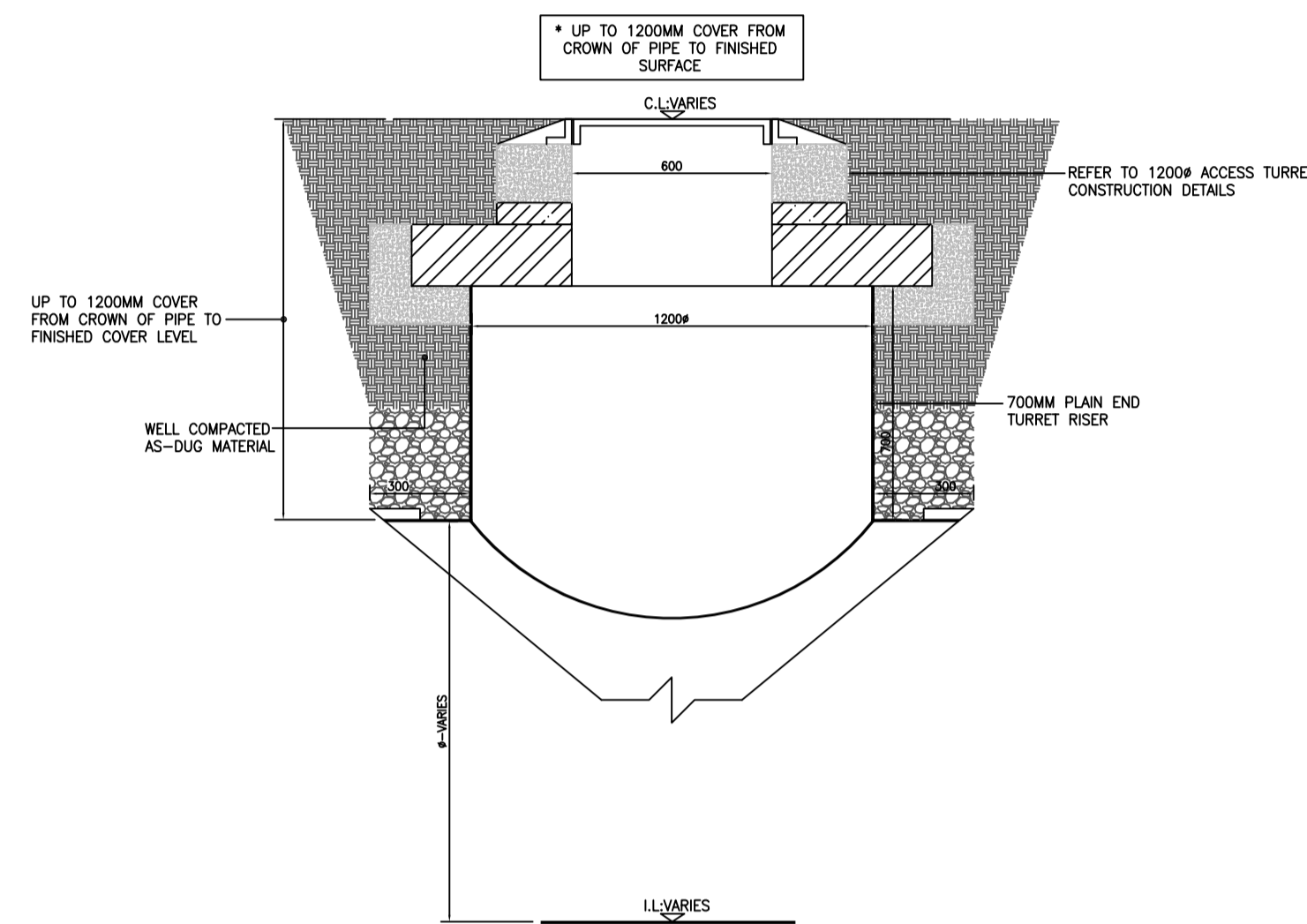


Date 30.03.16	Scale 1/20	Drawn JH	Checked -
Drawing No		1800-SS-C	-

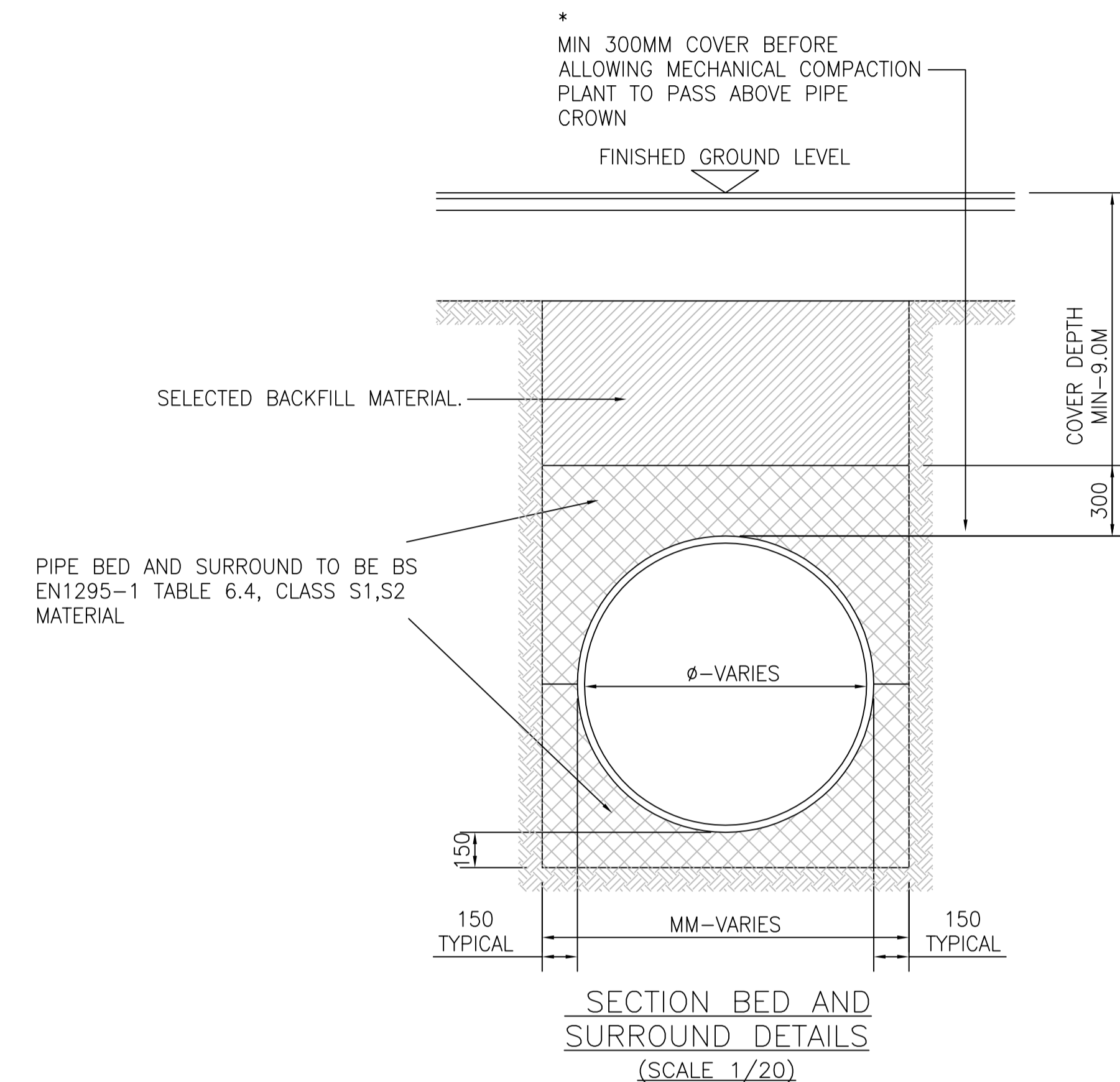
REV	DESCRIPTION	DATE	BY



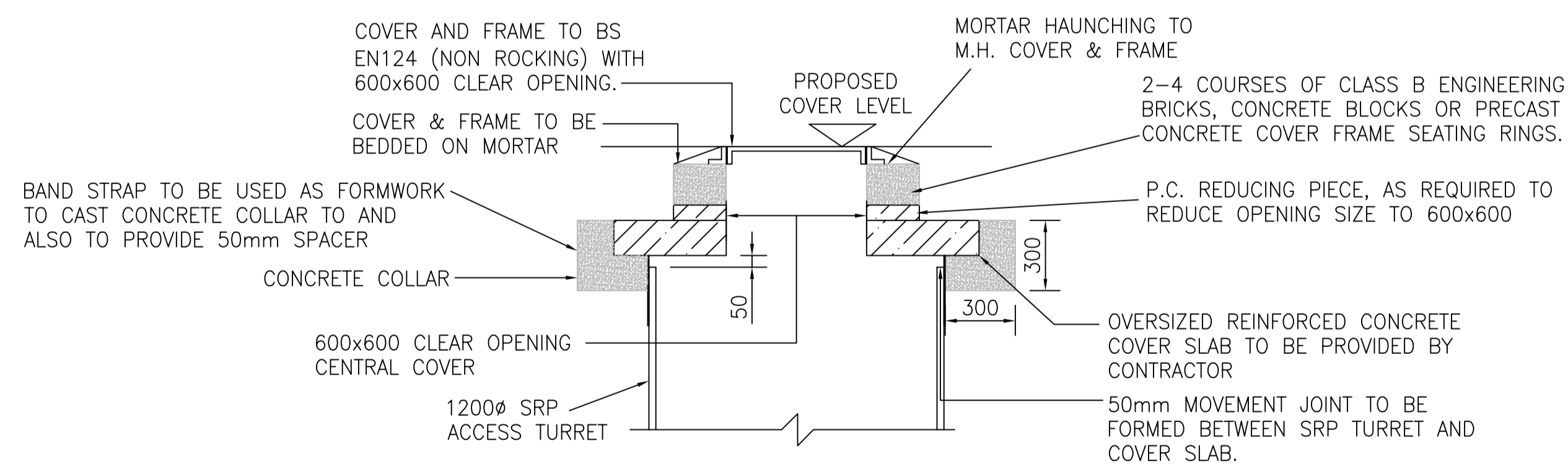
STAINLESS STEEL ACCESS TURRET CONSTRUCTION  
DETAILS FOR HIGHWAYS/TRAFFICKED AREAS  
(1200Ø MAN ENTRY ACCESS CHAMBER)  
 (SCALE 1/20)



STAINLESS STEEL ACCESS TURRET CONSTRUCTION  
DETAILS FOR LANDSCAPE/FIELD AREAS  
(1200Ø MAN ENTRY ACCESS CHAMBER)  
 (SCALE 1/20)



SECTION BED AND SURROUND DETAILS  
 (SCALE 1/20)



ACCESS TURRET CONSTRUCTION  
DETAILS 1200Ø  
 (SCALE 1/20)

**NOTES:**

1. PROPOSED LEVELS ARE APPROXIMATE AND ARE TO BE CONFIRMED BY THE ENGINEER/ARCHITECT PRIOR TO CONSTRUCTION.
2. ALL DIMENSIONS ARE NOMINAL AND IN MILLIMETERS.
3. REFER TO ENGINEERS DRAINAGE DRAWING FOR FULL LAYOUT AND DETAILS.
4. ALL PIPE SPECIFIED TO BE AQUASPIRA SRP.
5. ALL STAINLESS STEEL SPECIFIED TO BE GRADE 316, 5MM THICK.
6. THIS DRAWING TO BE READ IN CONJUNCTION WITH ENGINEERS DRAWINGS AND SPECIFICATIONS.
7. ALL CONNECTING PIPE WORK TO TANKS TO BE DESIGNED BY MAIN ENGINEERS AND SUPPLIED BY CONTRACTOR.

**BACKFILL NOTES**

1. GRANULAR MATERIAL TO BE THOROUGHLY TAMPED TO ENSURE EVEN SUPPORT AROUND PIPE.
2. ALL TEMPORARY ENABLING WORKS ARE BY OTHERS.
3. PROJECT ENGINEERS TO CONFIRM THE BACKFILL DETAILS ARE APPROPRIATE FOR THE SITE GROUND CONDITIONS AND LOADING CRITERIA.

**PIPE JOINTING**

1. ALL PIPES TO BE JOINTED USING AQUASPIRA PUSH FIT JOINTS.
2. ALL STANDARD PIPES TO BE JOINTED USING ALUMINIUM JOINTING CROSS AS PROVIDED BY AQUASPIRA.
3. ALL FABRICATED OR MODIFIED SECTIONS TO BE JOINTED USING THE SLING AND RATCHET SYSTEM TO AVOID DAMAGE TO THE SECTION.

**NOTES:**

THIS DRAWING HAS BEEN PRODUCED FOR THE PURPOSE OF OFFERING DESIGN AND LAYOUT INFORMATION TO ASSIST THE PROJECT ENGINEER WHEN ASSESSING THE SUITABILITY OF AQUASPIRA PRODUCTS. THE INFORMATION CONTAINED IN THIS DRAWING IS APPROPRIATE TO AQUASPIRA PRODUCTS ONLY, AND ALL REFERENCES TO ASSOCIATED CONSTRUCTION DETAILS ARE OFFERED AS TYPICAL DETAILS AND DO NOT TAKE ACCOUNT OF PROJECT CONDITIONS. THE PROJECT ENGINEER/S MUST SATISFY THEMSELVES THAT THE INFORMATION PROVIDED IN THIS DRAWING IS SATISFACTORY.

Client  
 AQUASPIRA  
 STANDARD  
 DETAIL

Drawing Title:  
 1200Ø STAINLESS STEEL MAN  
 ENTRY ACCESS TURRET-PLAIN END  
 AND CONSTRUCTION DETAILS



Date	Scale	Drawn	Checked
N/A	AS SHOWN	JH	MS

Drawing No | 1200-S/S+ | -